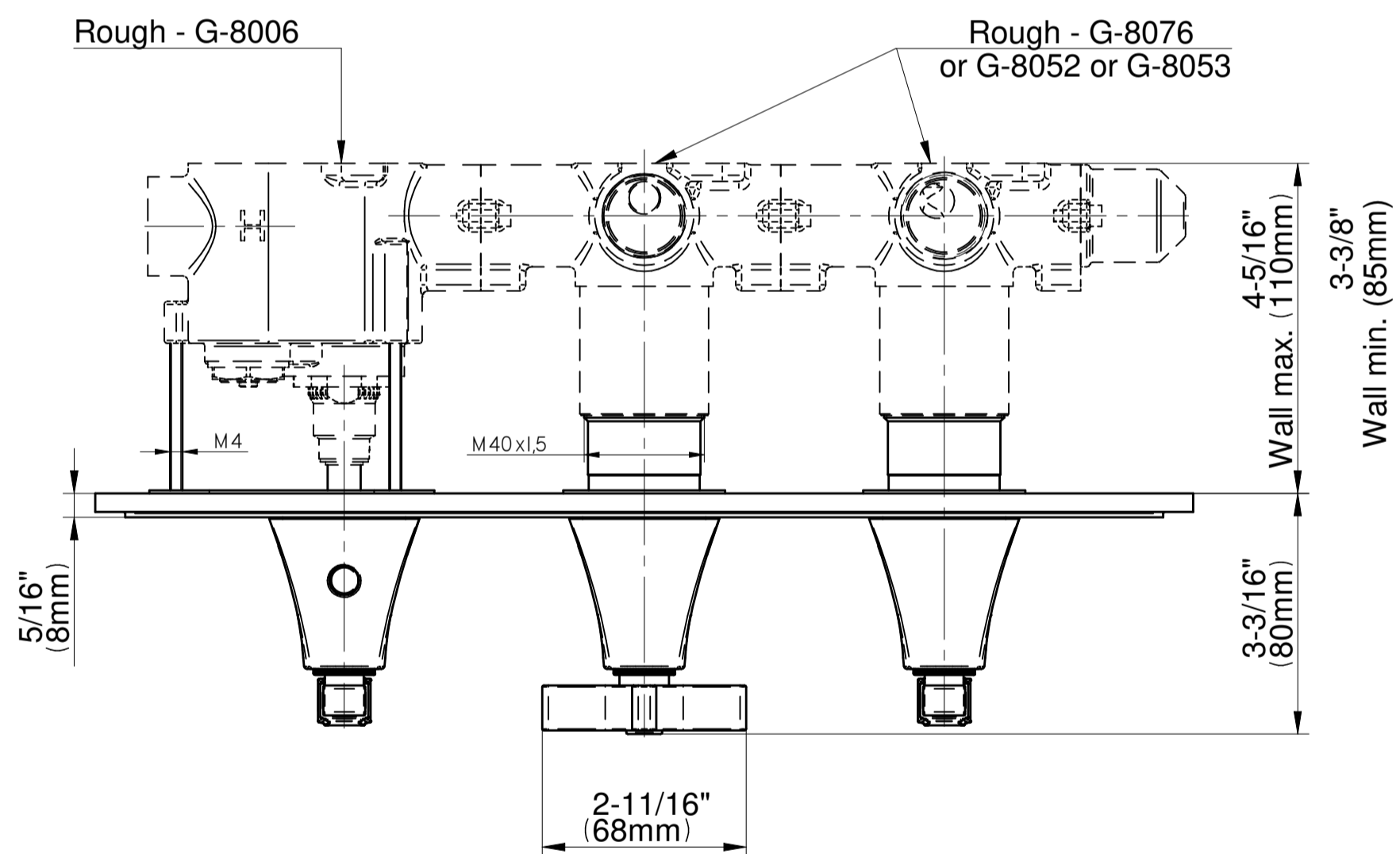
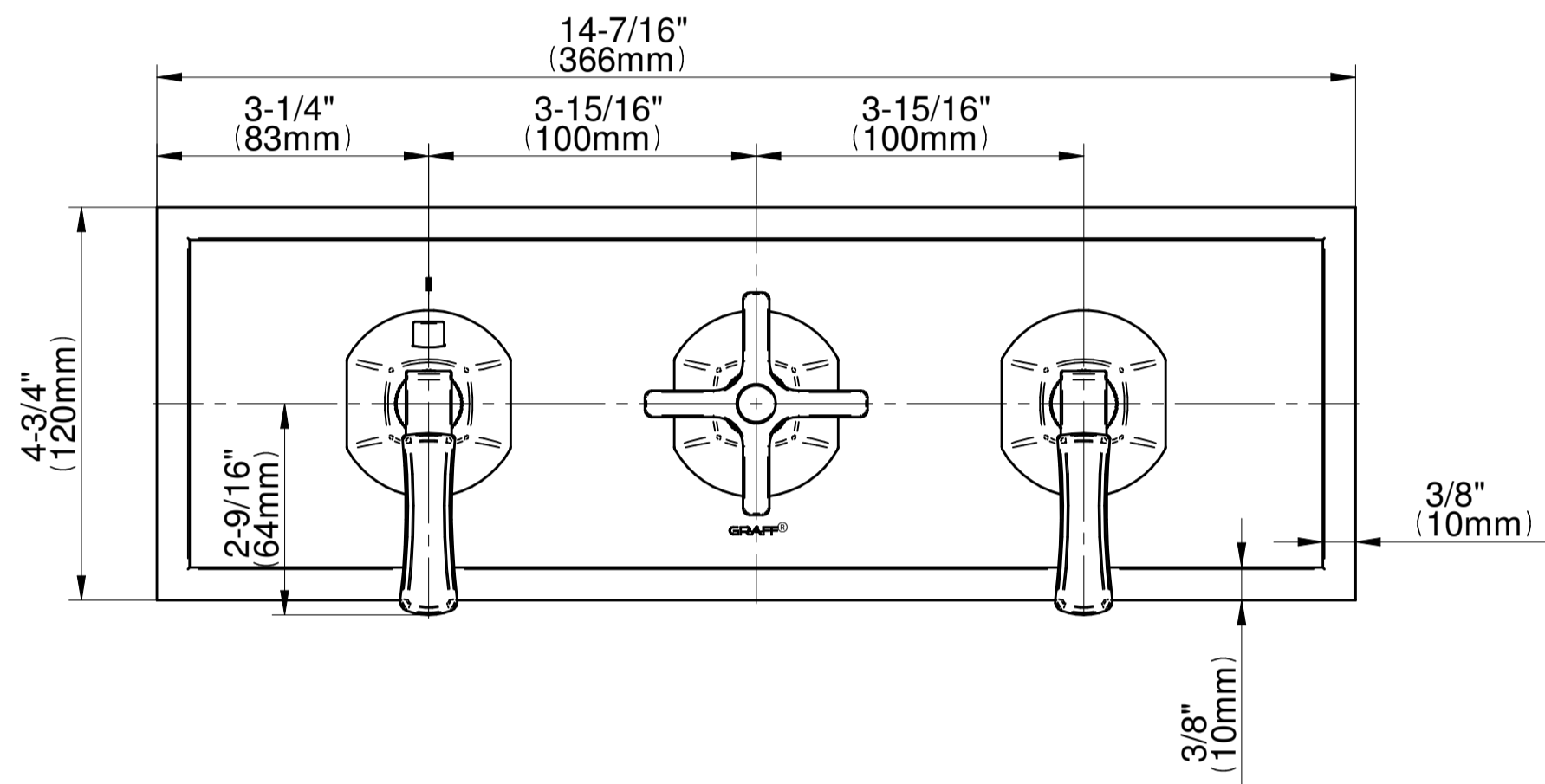


# G-8178H-2L1C-T

## FINEZZA DUE Series



**GRAFF**<sup>®</sup>  
CUTTING EDGE DESIGN