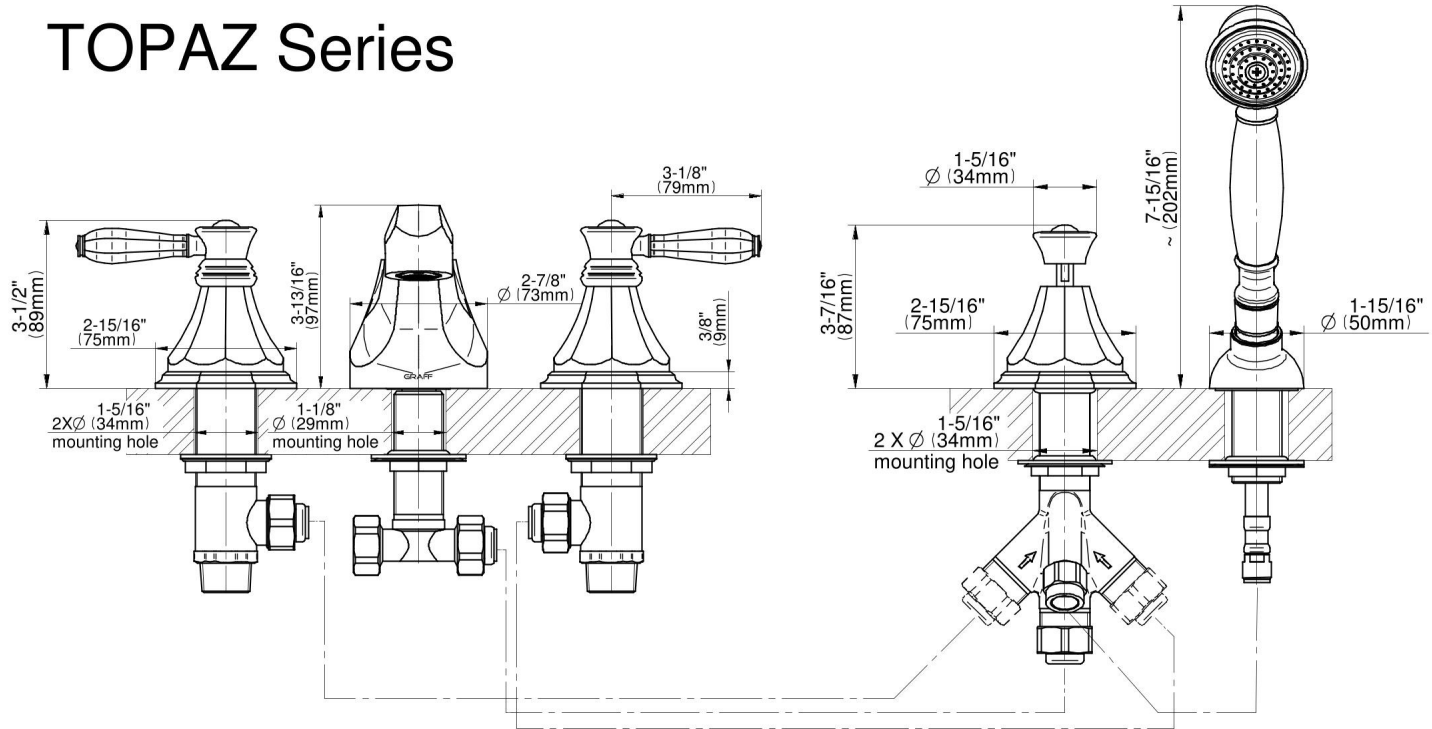


# G-1953-LM63L

## TOPAZ Series



**GRAFF**<sup>®</sup>  
Art of Bath