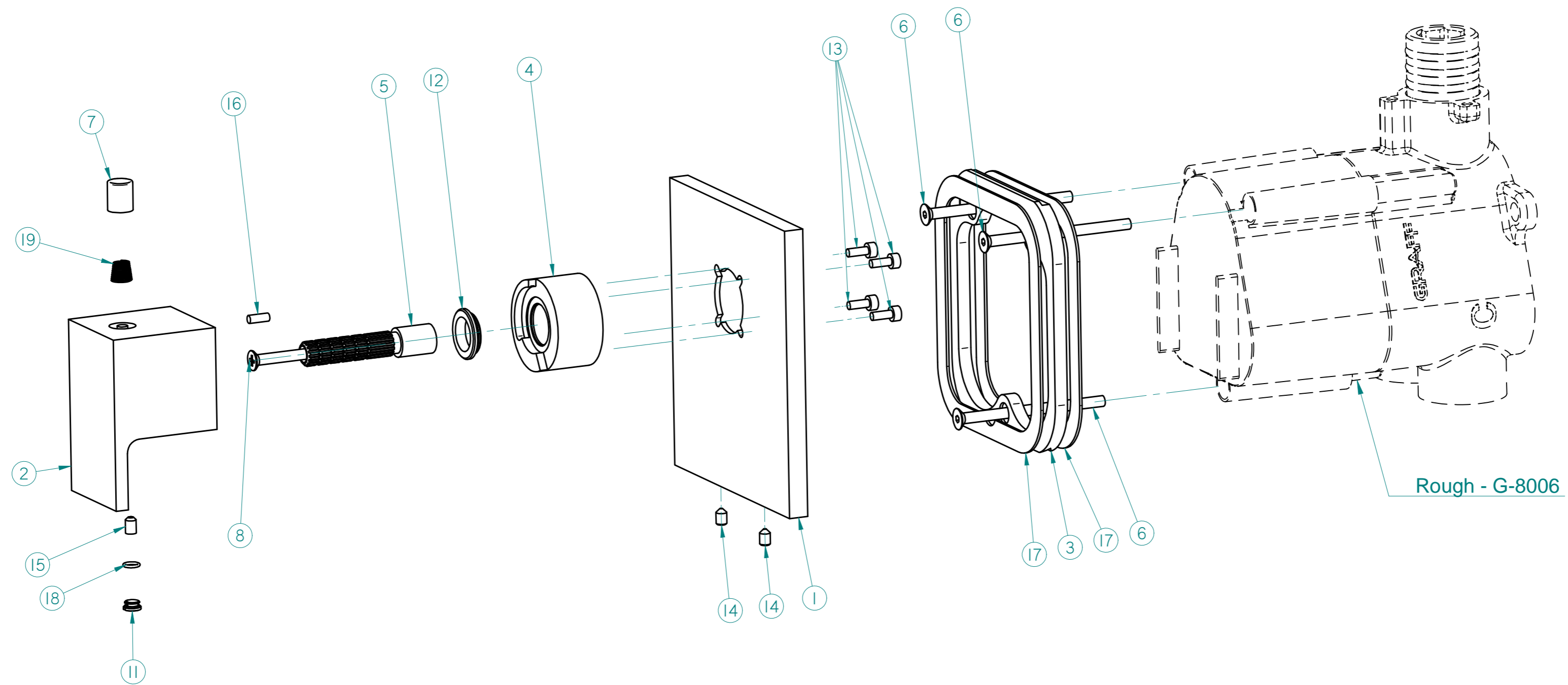


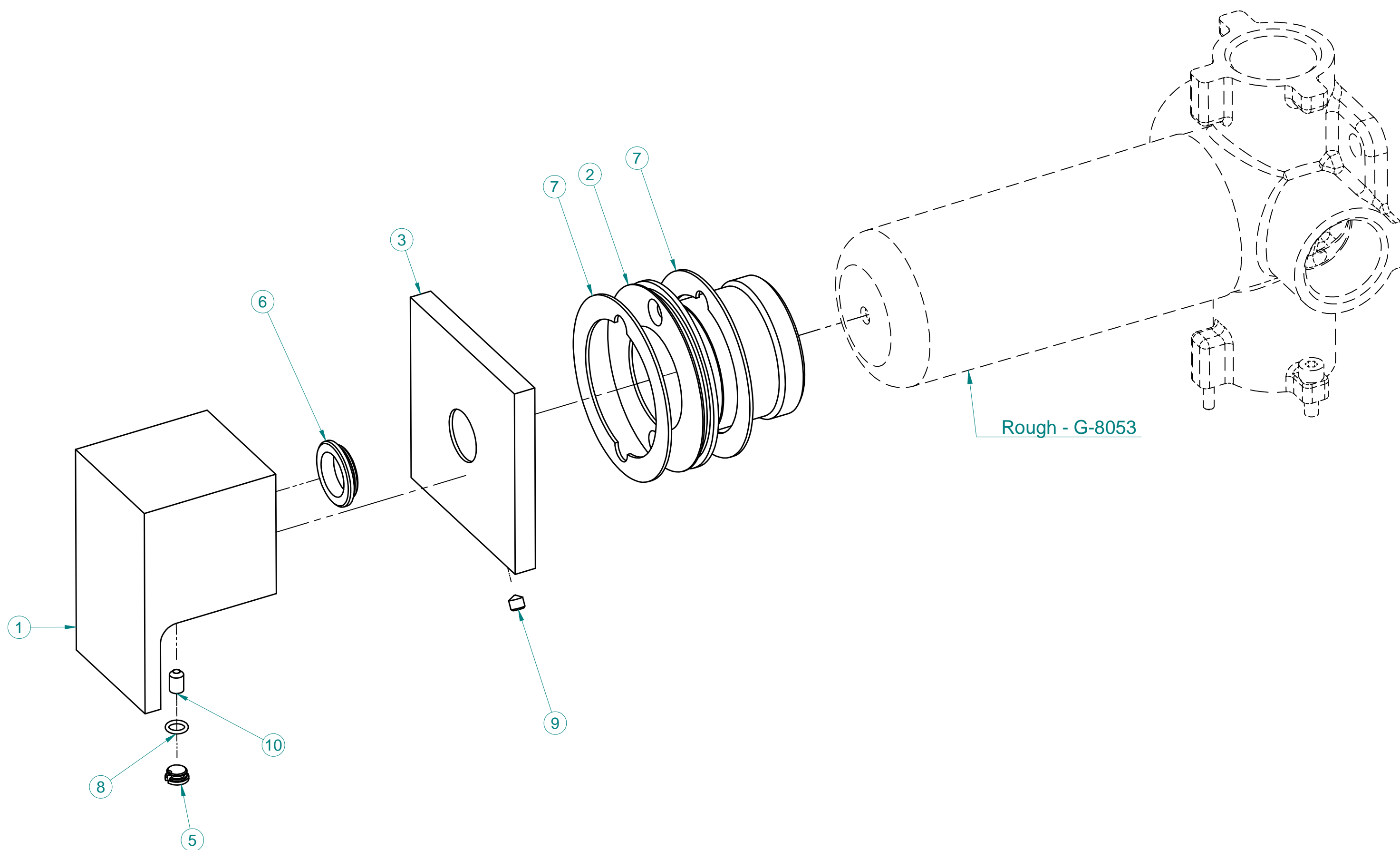
G-8043-LM31E-T

SOLAR Series



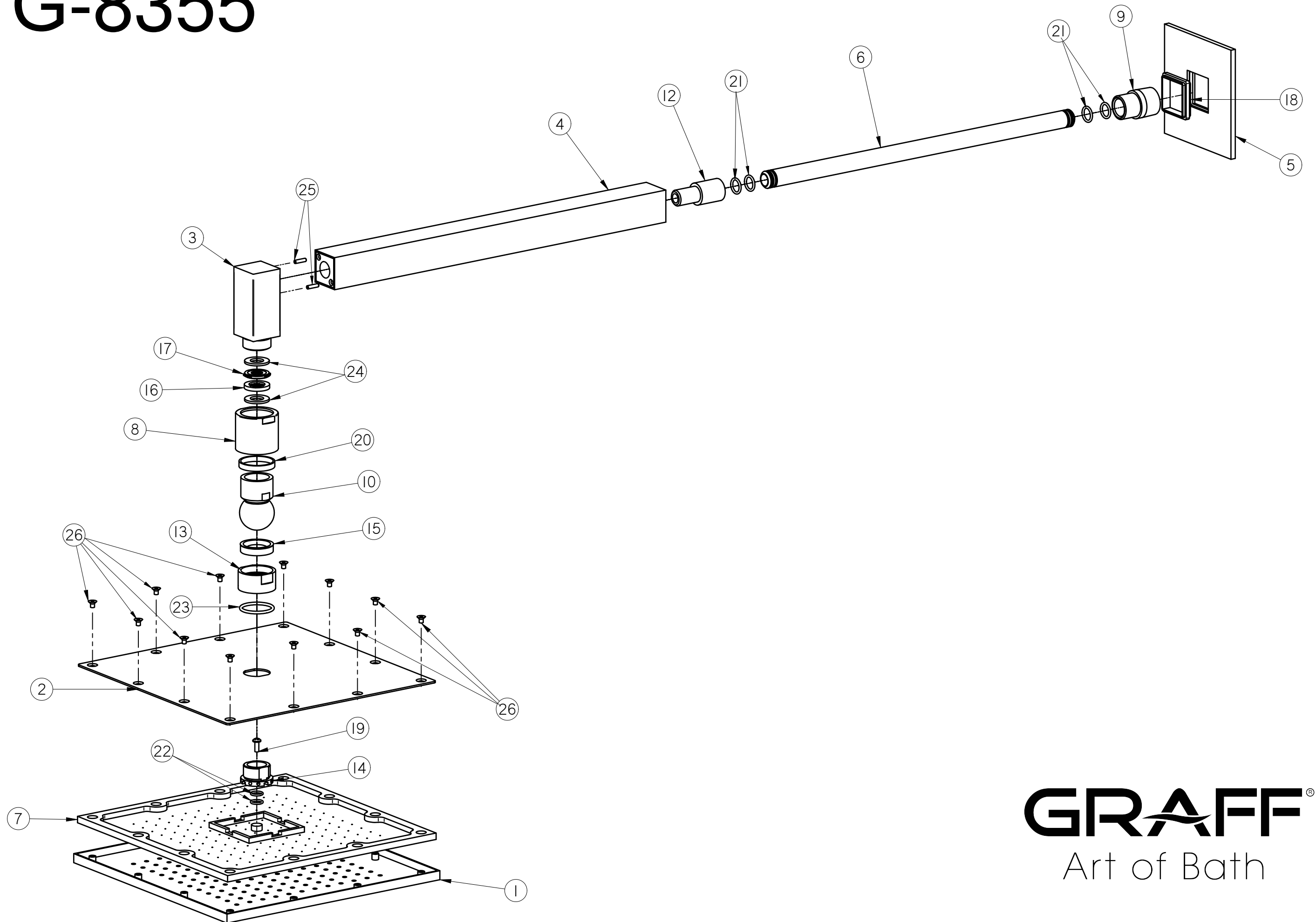
G-8072-LM31E1-T

SOLAR Series



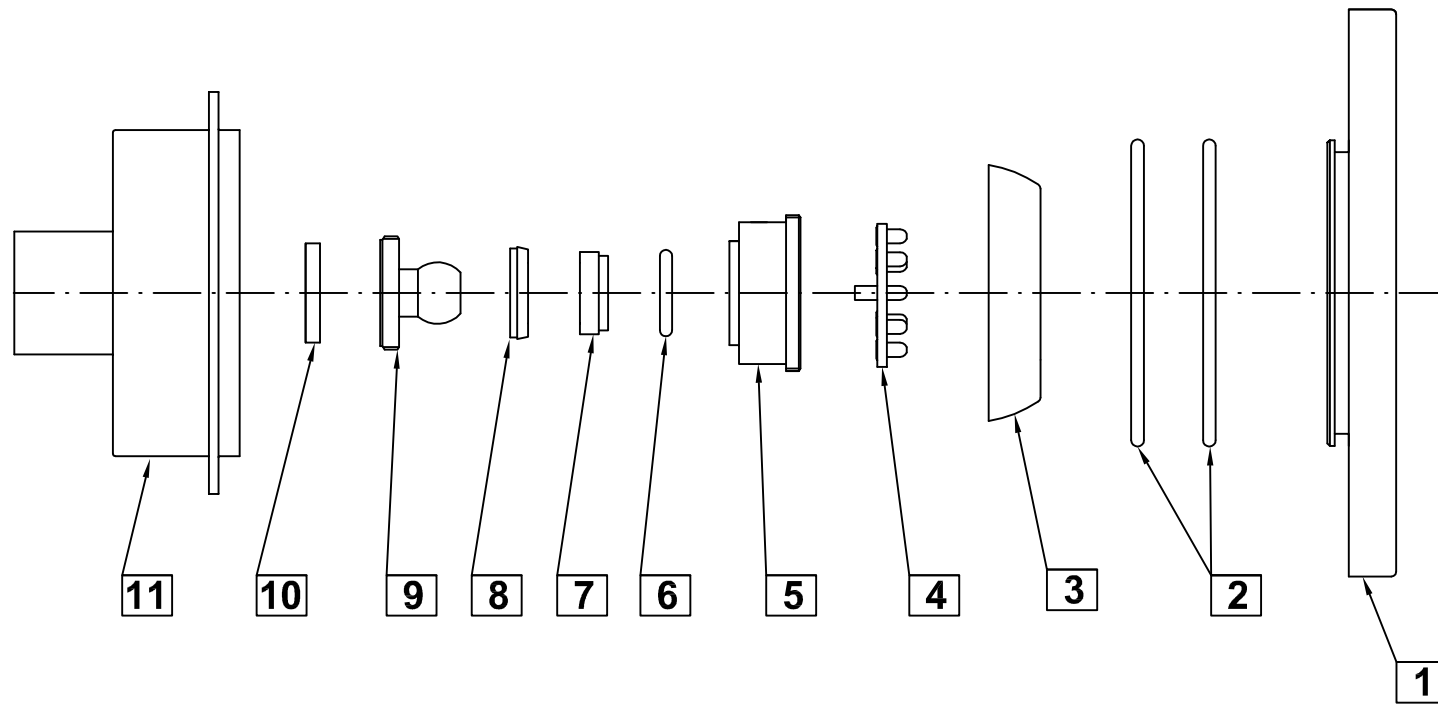
GRAFF[®]
Art of Bath

G-8355



GRAFF[®]
Art of Bath

Square Body Spray with Swivel Head G-8497



G-8649

