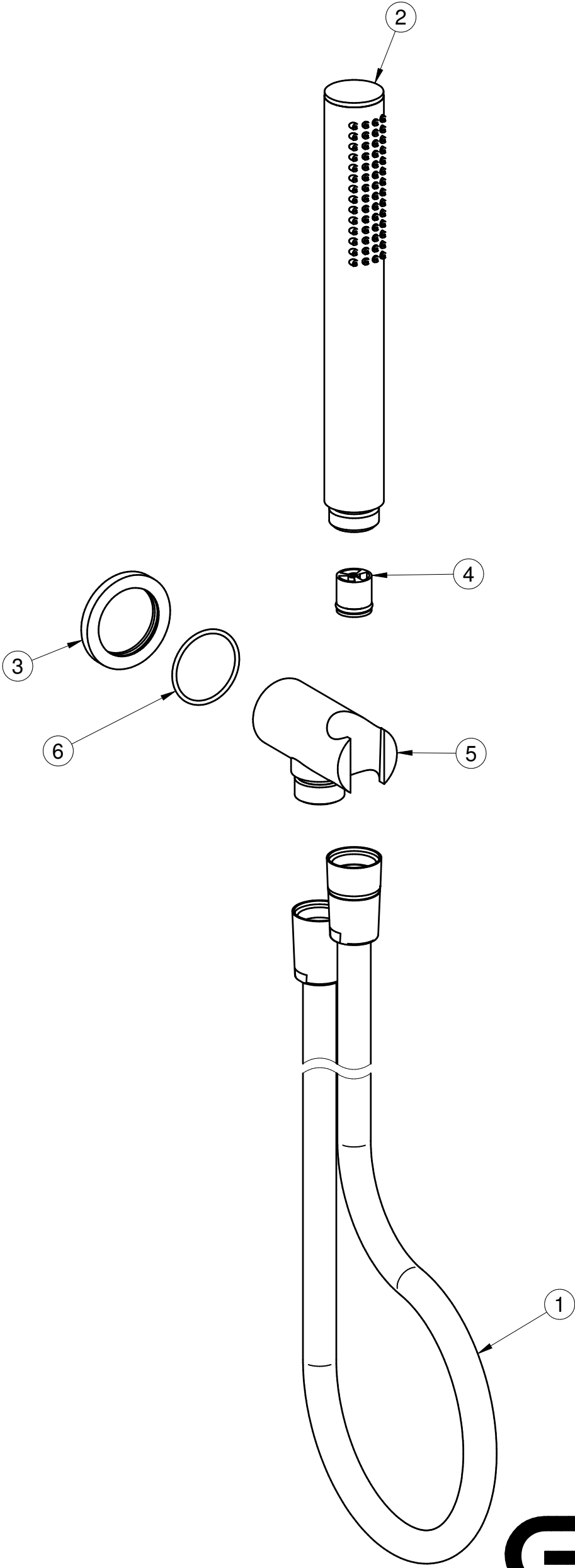


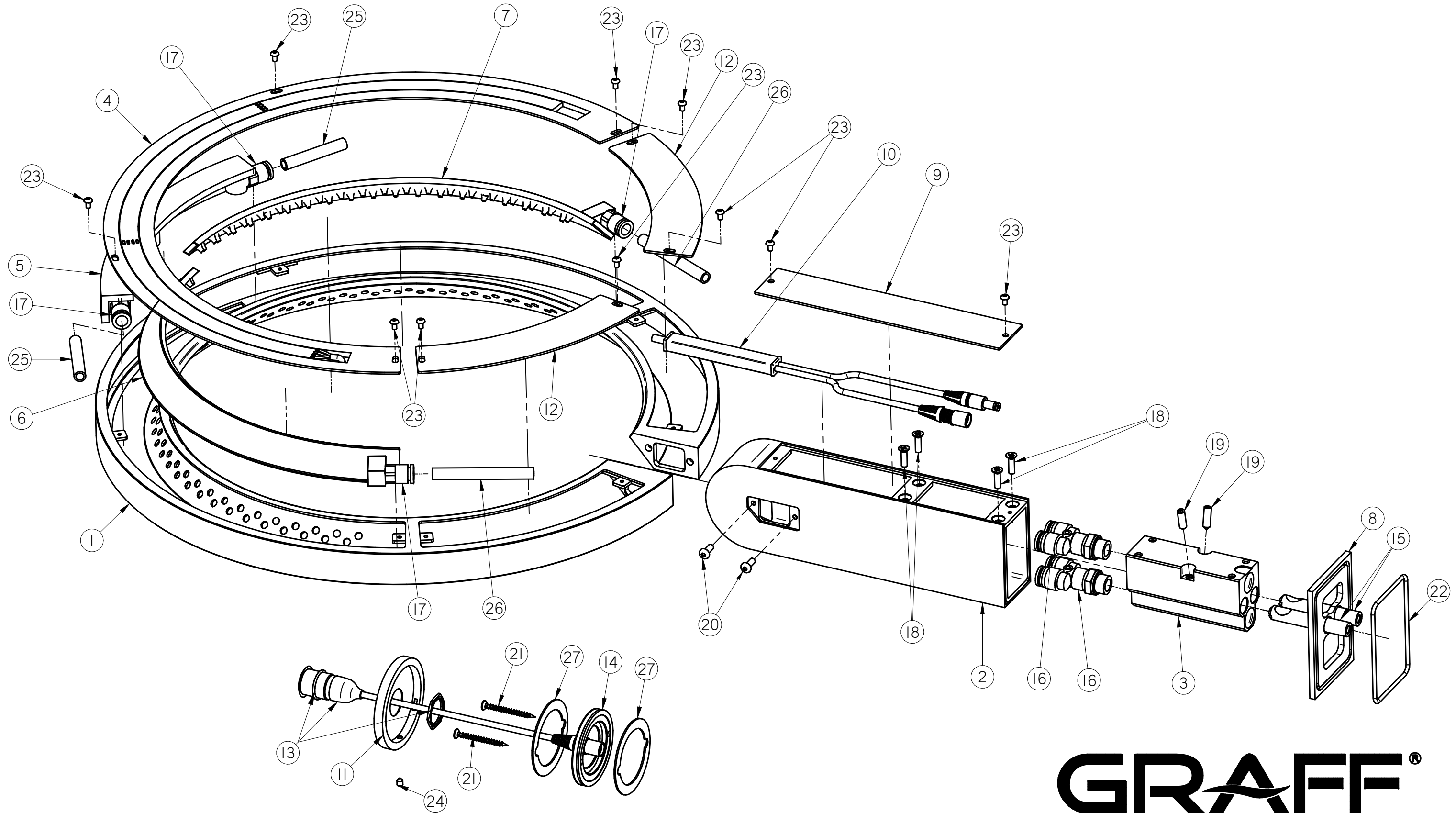
G-8627

Round Series



G-8760-T

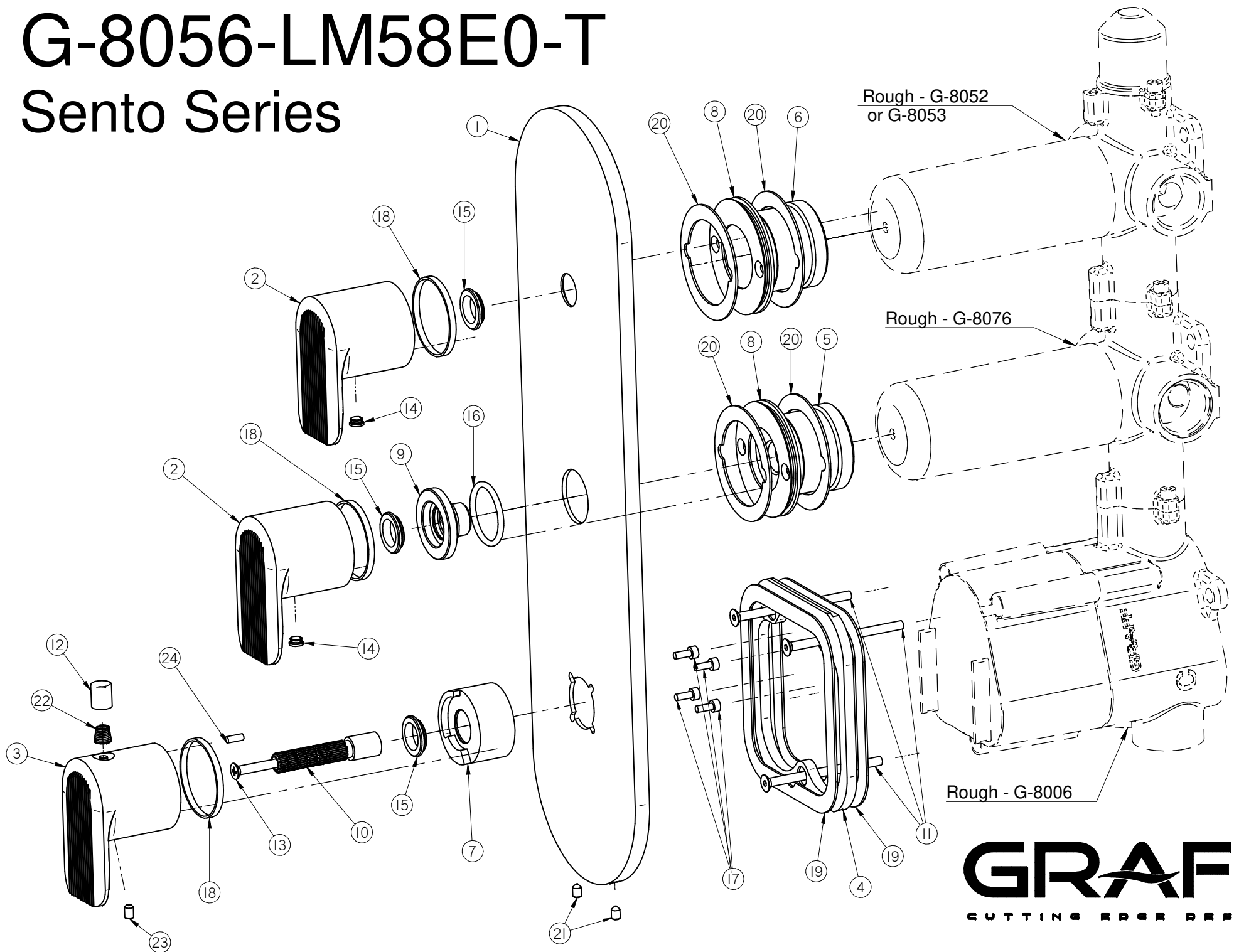
AMETIS Series



GRAFF[®]
CUTTING EDGE DESIGN

G-8056-LM58E0-T

Sento Series



GRAFF[®]
CUTTING EDGE DESIGN