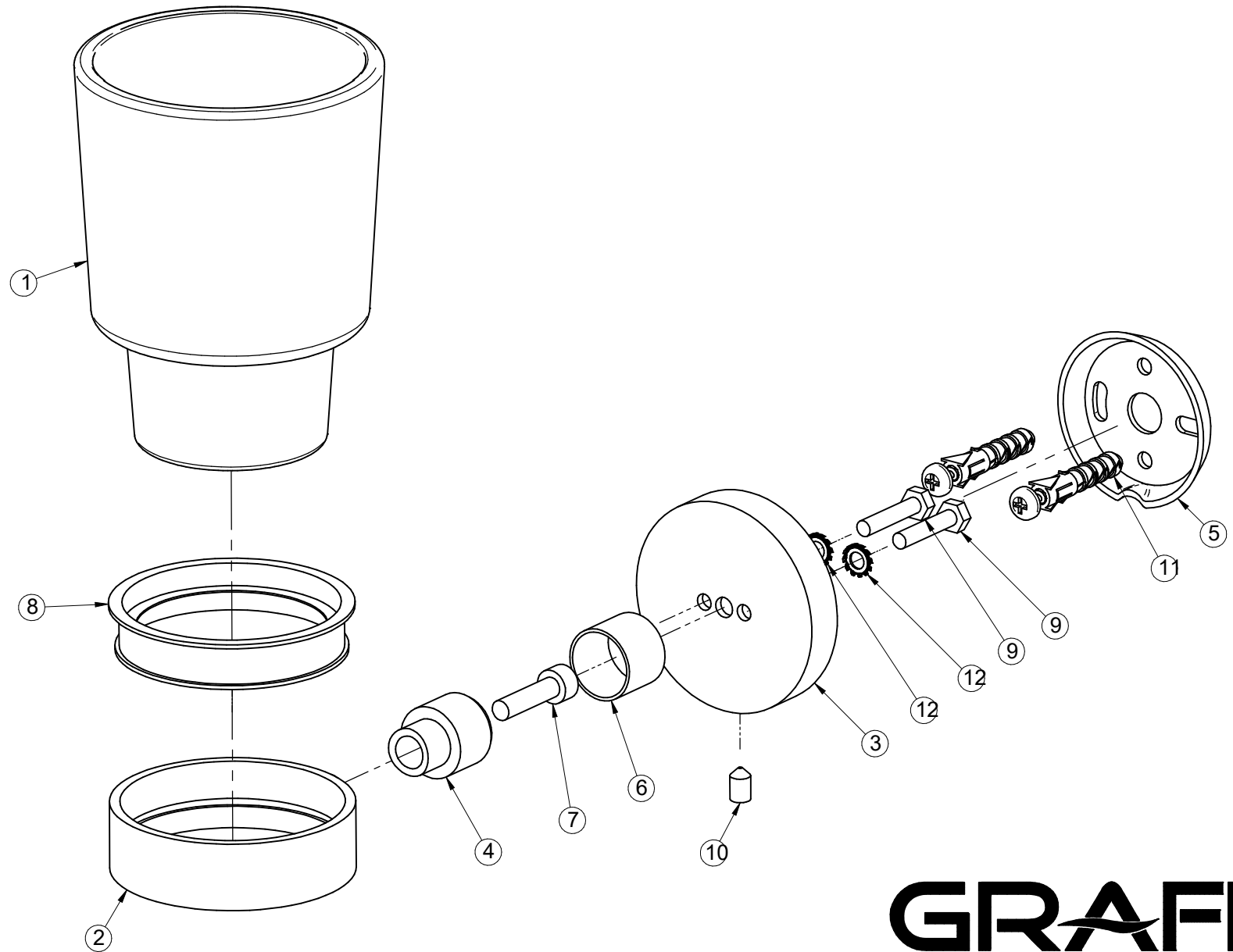


G-9129

M.E Series



GRAFF[®]
Art of Bath