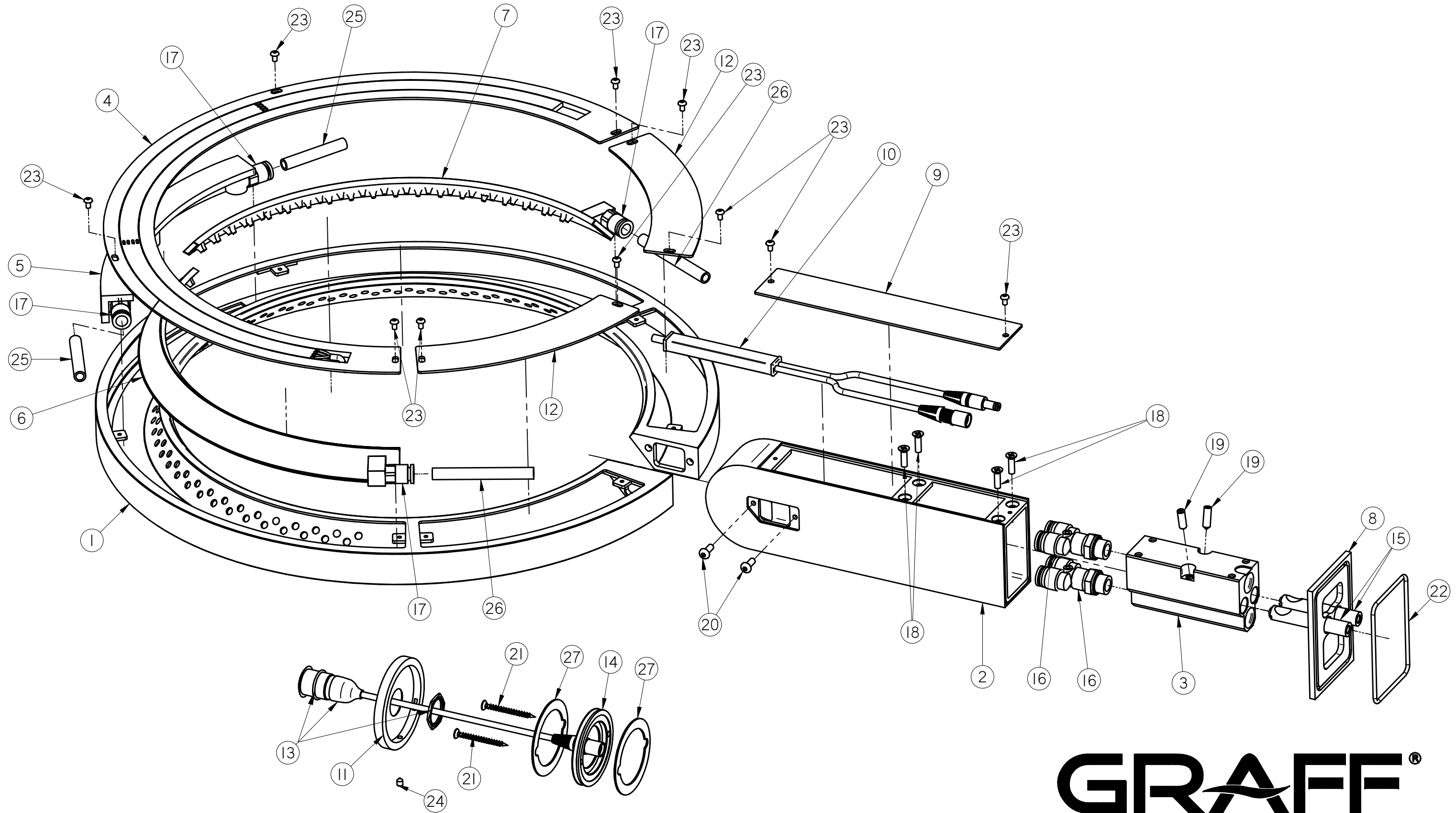


G-8760-T

AMETIS Series



GRAFF[®]
CUTTING EDGE DESIGN