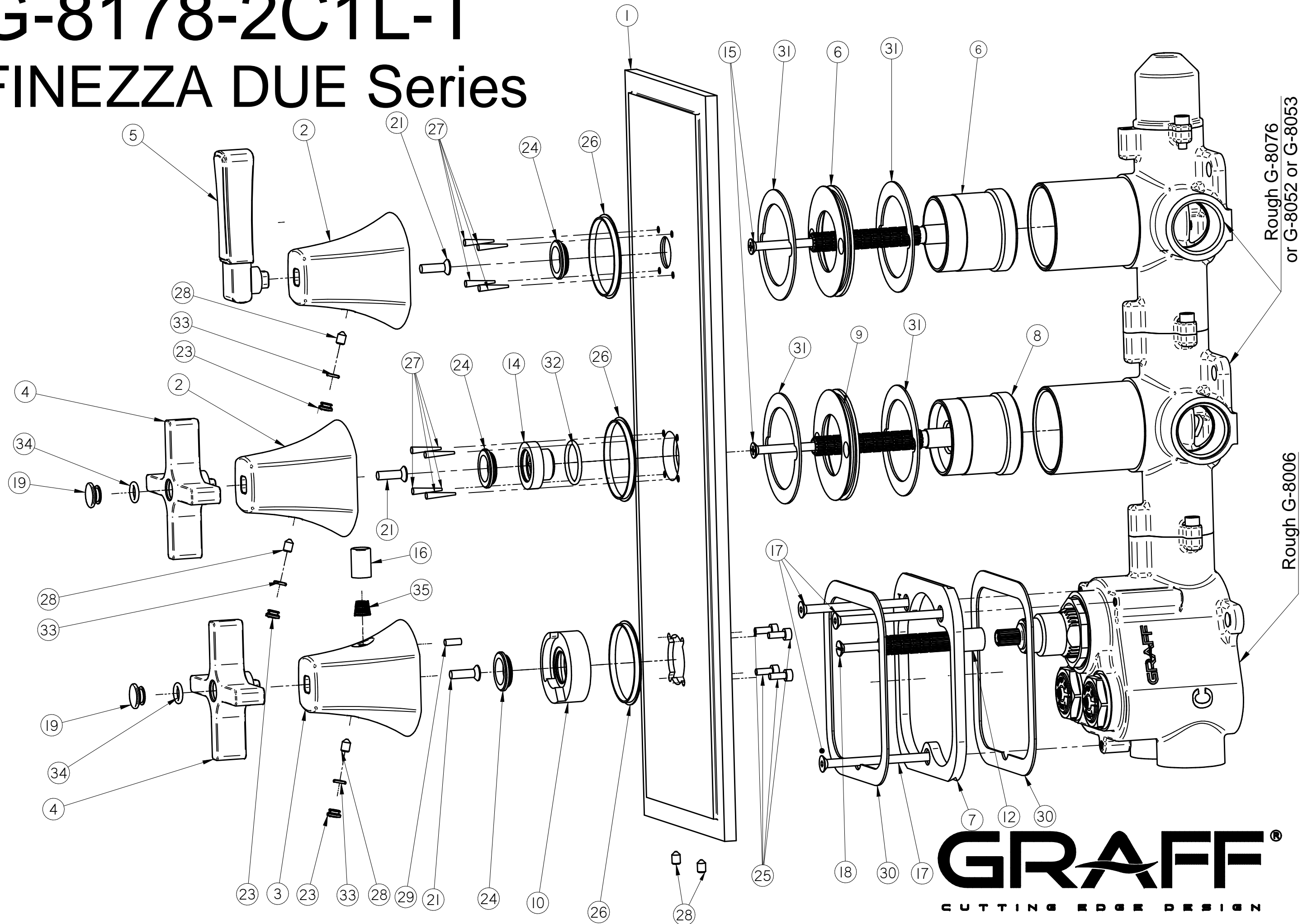


# G-8178-2C1L-T

## FINEZZA DUE Series



**GRAFF**<sup>®</sup>  
CUTTING EDGE DESIGN