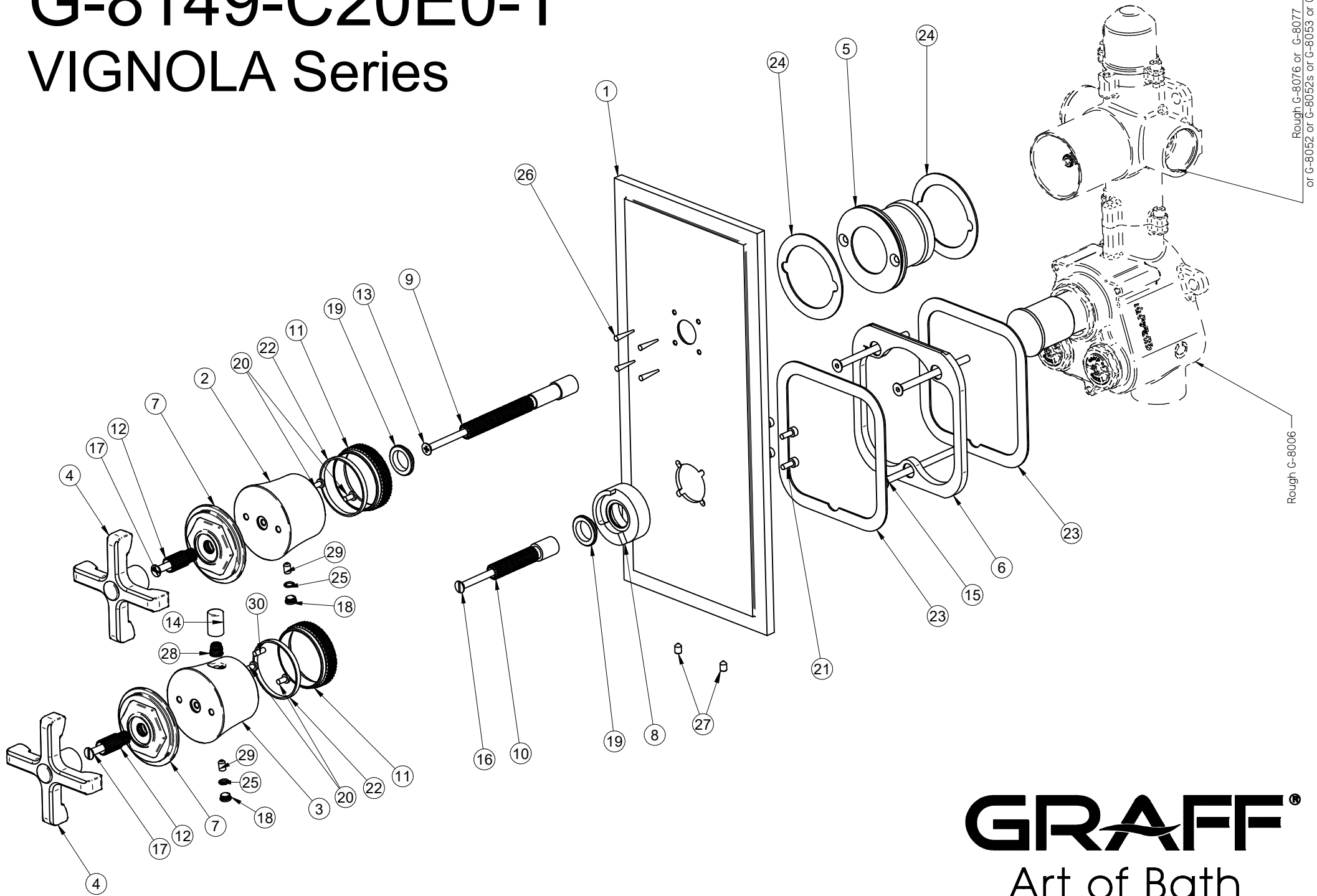


# G-8149-C20E0-T

## VIGNOLA Series



**GRAFF®**  
Art of Bath