

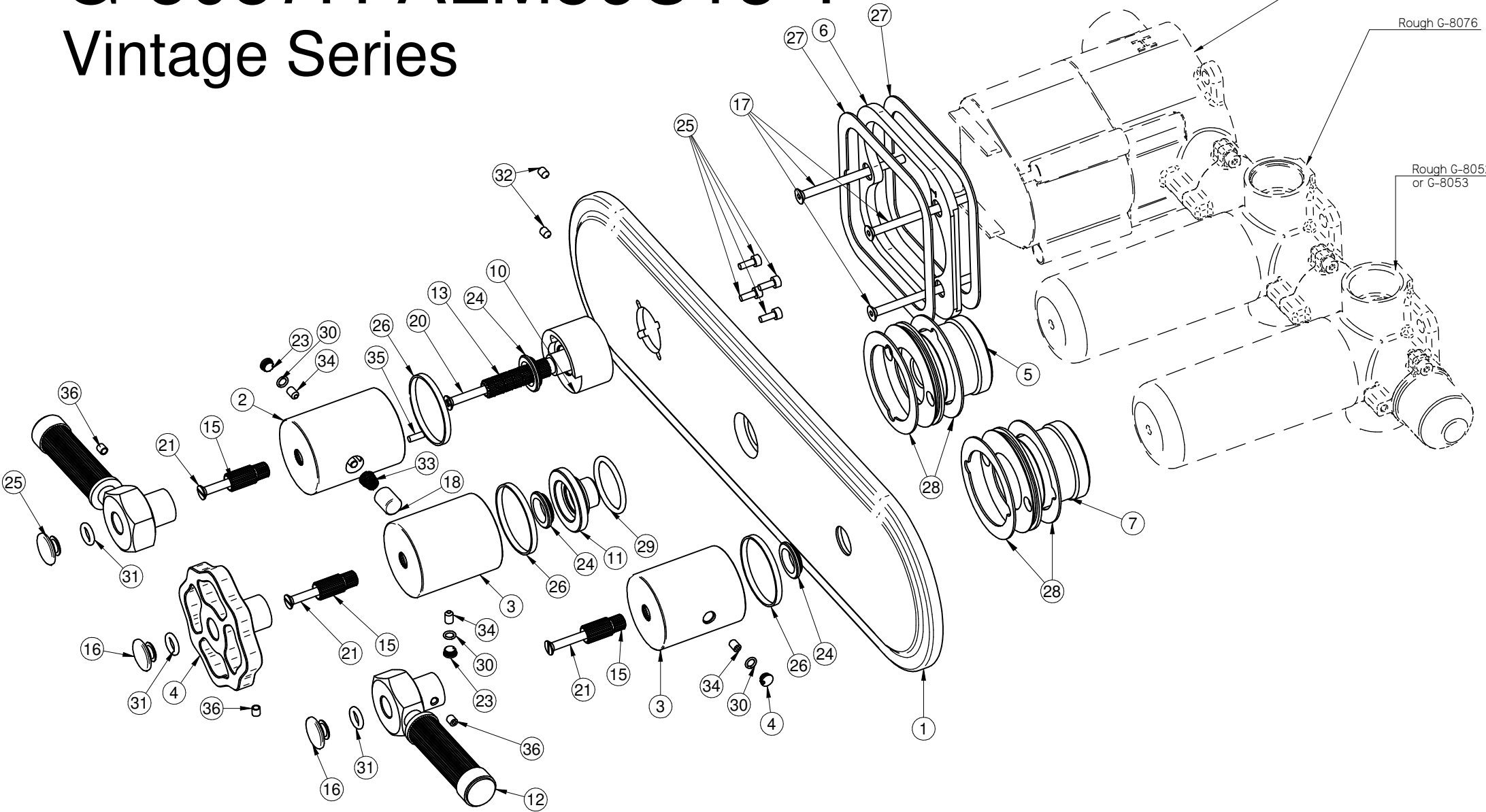
# G-8087H-ALM56C18-T

## Vintage Series

Rough G-8006

Rough G-8076

Rough G-8052  
or G-8053



**GRAFF®**  
CUTTING EDGE DESIGN