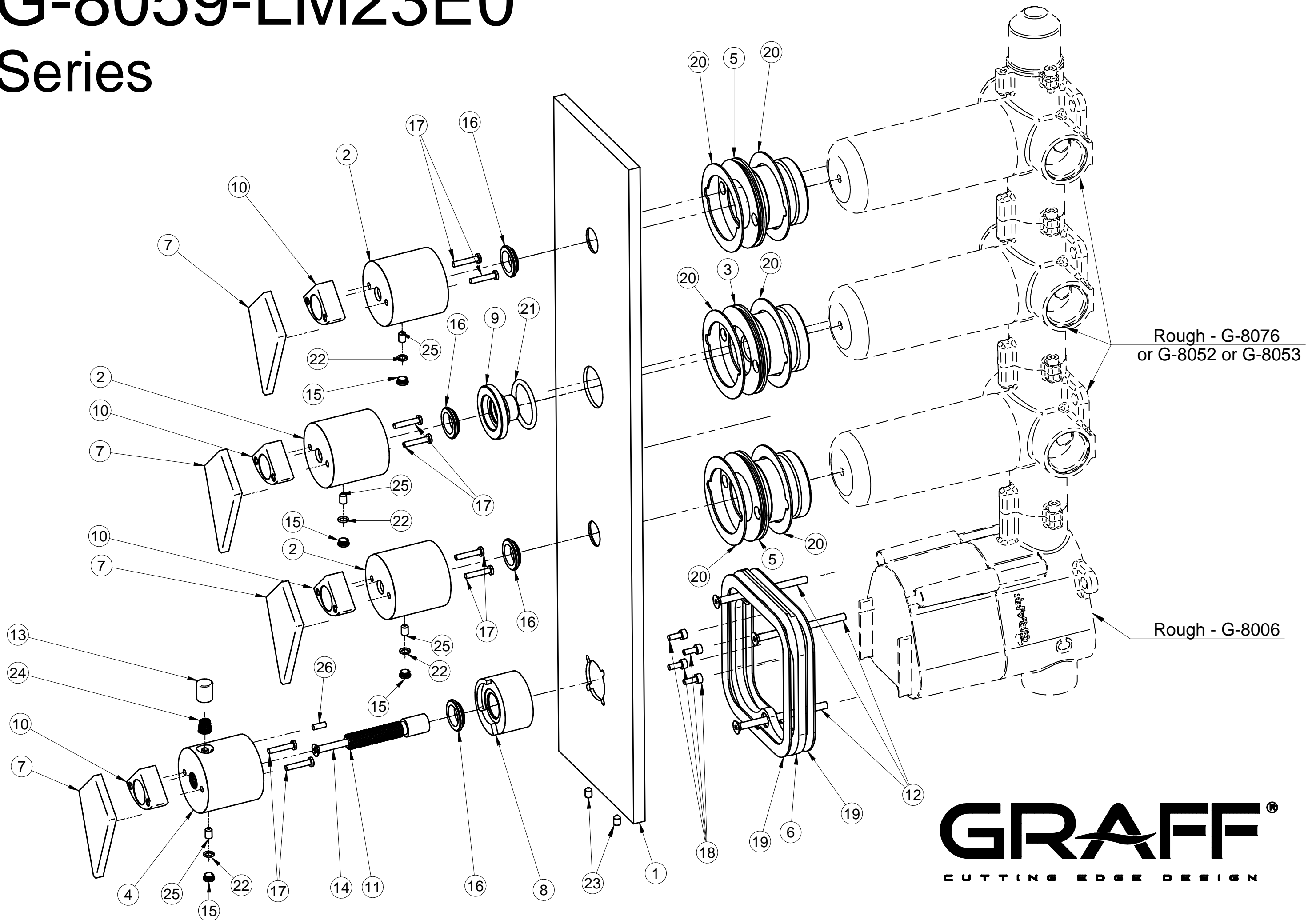


G-8059-LM23E0 Series



Rough - G-8076
or G-8052 or G-8053

Rough - G-8006

GRAFF[®]
CUTTING EDGE DESIGN