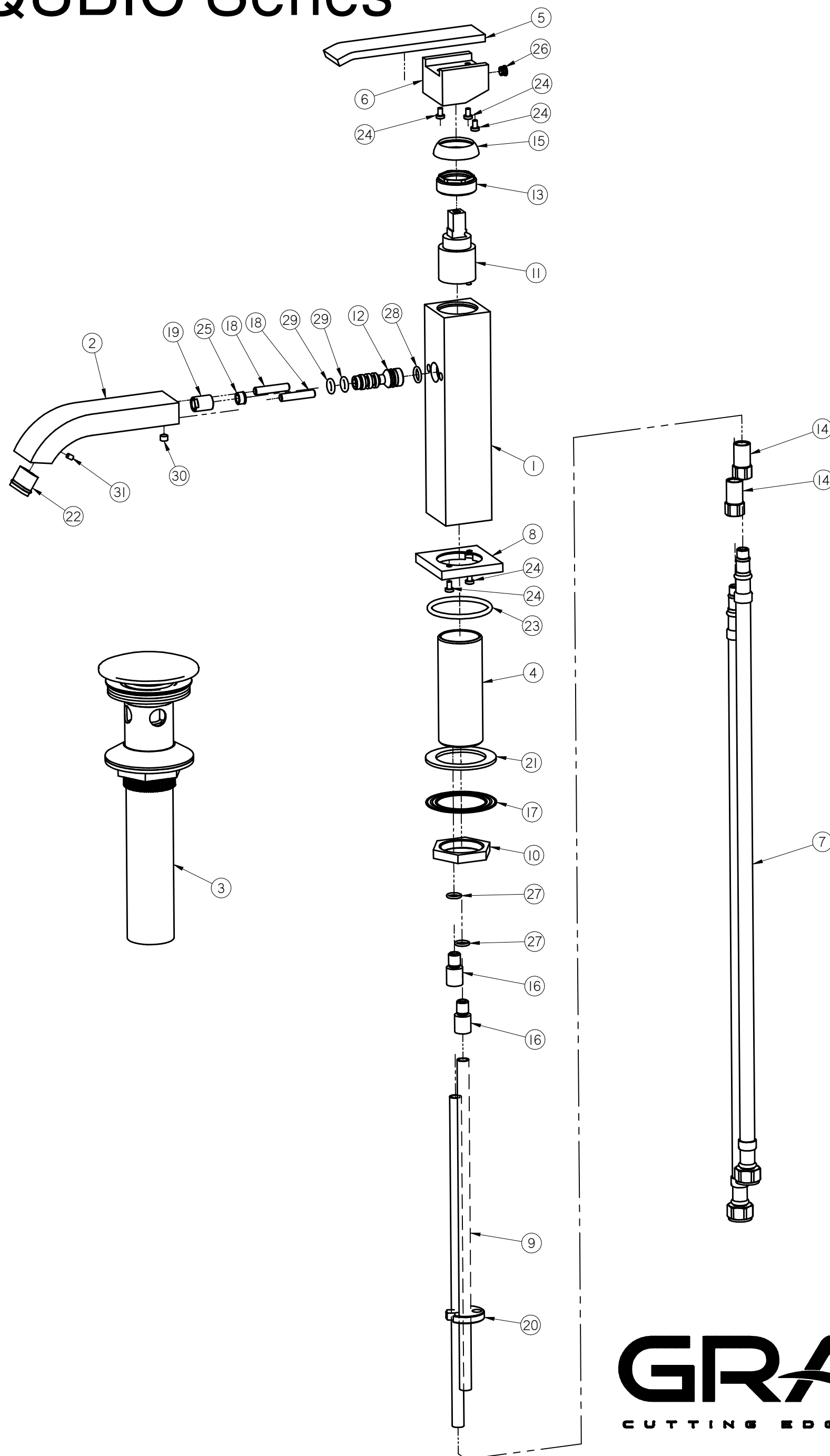


G-6203-LM38M

QUBIC Series



GRAFF[®]
CUTTING EDGE DESIGN