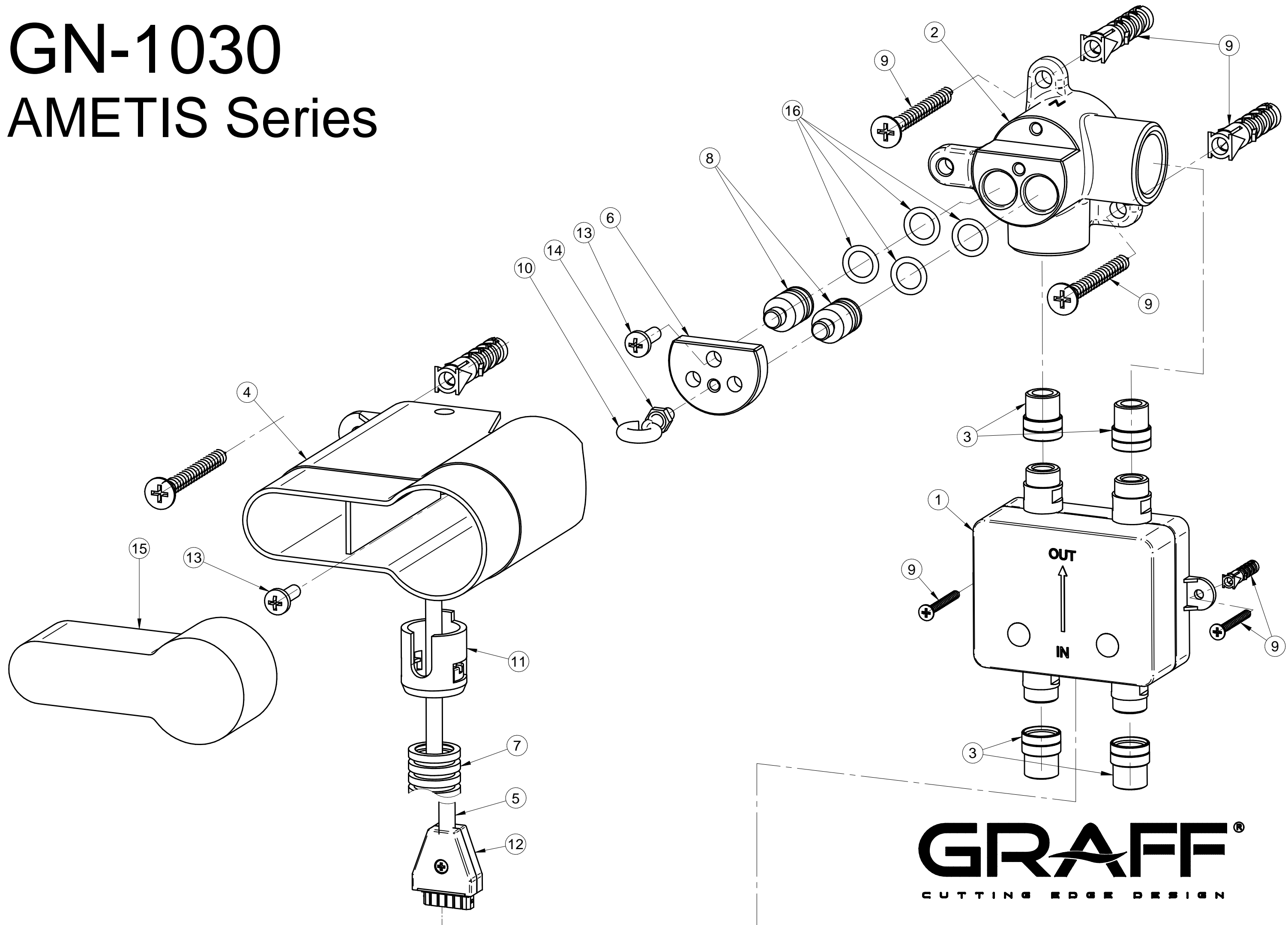


# GN-1030

## AMETIS Series



**GRAFF**<sup>®</sup>  
CUTTING EDGE DESIGN