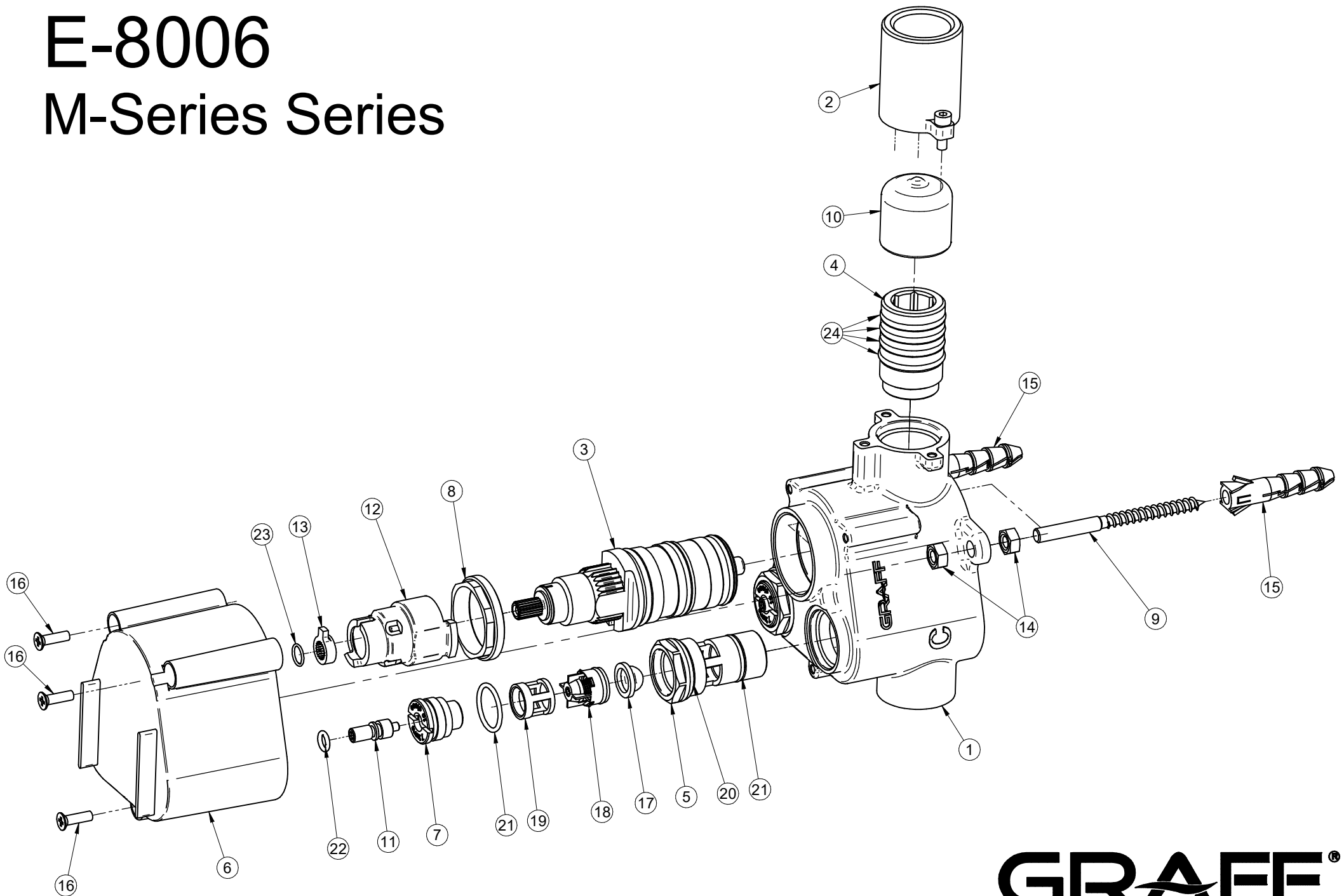


# E-8006

## M-Series Series



**GRAFF**<sup>®</sup>  
Art of Bath