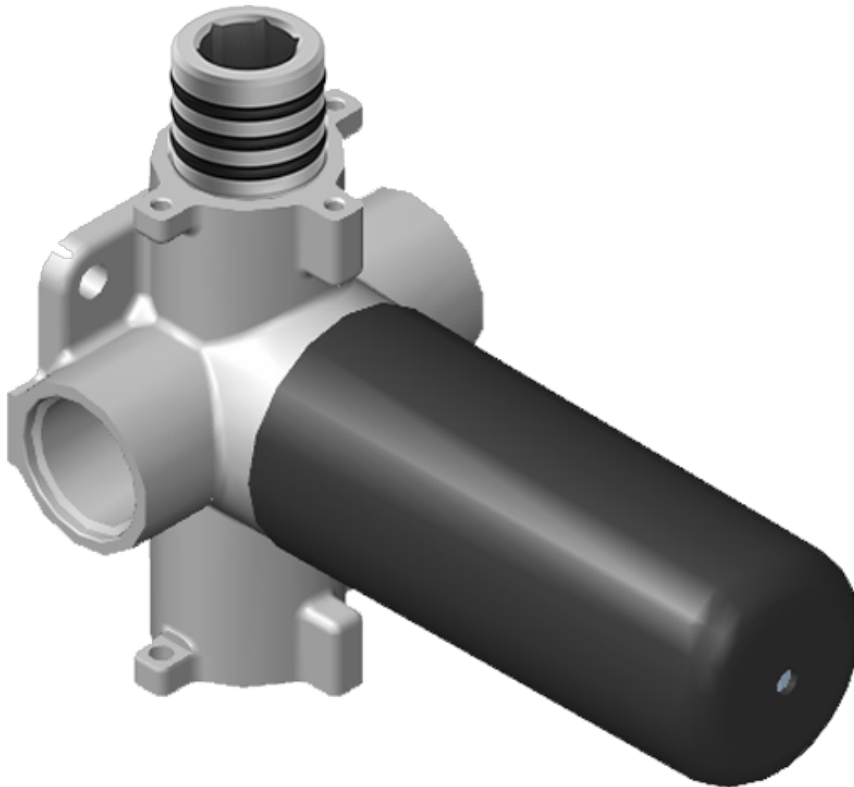


SHOWER
Two-Way Shared Function
Diverter Volume Control Valve
with Pass- Through and WITHOUT
Off Function
G-8052S

GRAFF[®]
Art of Bath



Information

- 11.5 gpm @ 60 psi
- 3/4" universal inlets/outlets with female threads
- Operates one function separately or two functions together
- Recommended to use with G-8077 Stop/Volume Control Valve
- Stacking inlet feature and pass-through port feature
- Supplied with protective plastic cover

G-8052S

2-way Diverter Valve - Rough - M-Series

