



Information

- Constructed from Sleek-Stone®, comprised of 75% natural dolomite minerals bonded with a unique resin to create a naturally durable material
- Freestanding installation with integrated overflow
- No faucet holes; requires wall-mount or vessel faucet
- Includes G-9959 grid drain with overflow in polished chrome
- Includes decorative waste cover
- Includes rear access area for faucet and drain installation
- ~98 lb
- 1.5 gal capacity
- Resistant to UV, scratches, impacts, mold and mildew, stains, and thermal shock
- Smooth, non-porous and fully deaerated

Finishes



Gloss Sleek-
Stone®



Matte Sleek-
Stone®

MUSA
 MUS15-NO-**-PC
 Sink in Sleek-Stone®



PRODUCT FEATURES

- Constructed from **Sleek-Stone®**, comprised of 75% natural dolomite minerals bonded with a unique resin to create a naturally durable material
- Freestanding installation
- With integrated overflow
- No faucet holes; requires wall-mount or vessel faucet
- Includes G-9959 grid drain with overflow in polished chrome
- Includes decorative waste cover
- Includes rear access area for faucet and drain installation



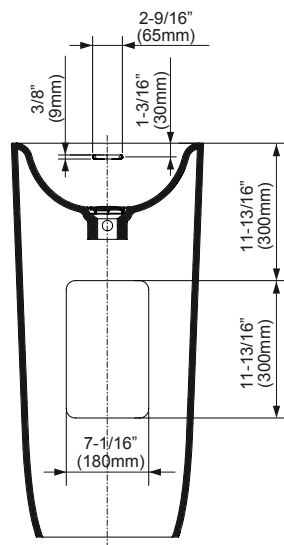
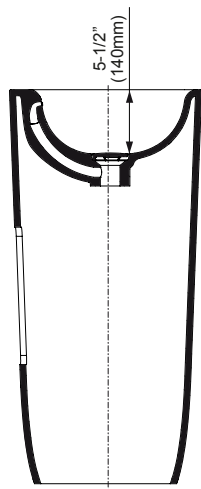
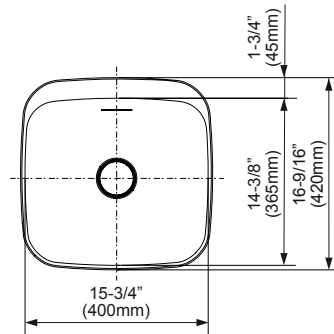
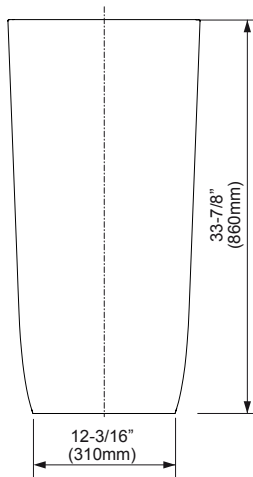
~98 lb



1.5 gal



G-9959-PC



MUS15-OF-GL-PC	GLOSS
MUS15-OF-MT-PC	MATTE

