



产品特点

- Wall-mount spout and handle installation
- Aerated flow rate ≤ 1.2 max gpm
- 9-1/4" spout reach
- Handle may be installed on left or right of spout
- Drain assembly not included
- Optional matching decorative trap G-9970
- Optional extension kit
- Use the <https://www.graff-designs.com/en/catalog/configurator/> to generate full part numbers

规范合规性

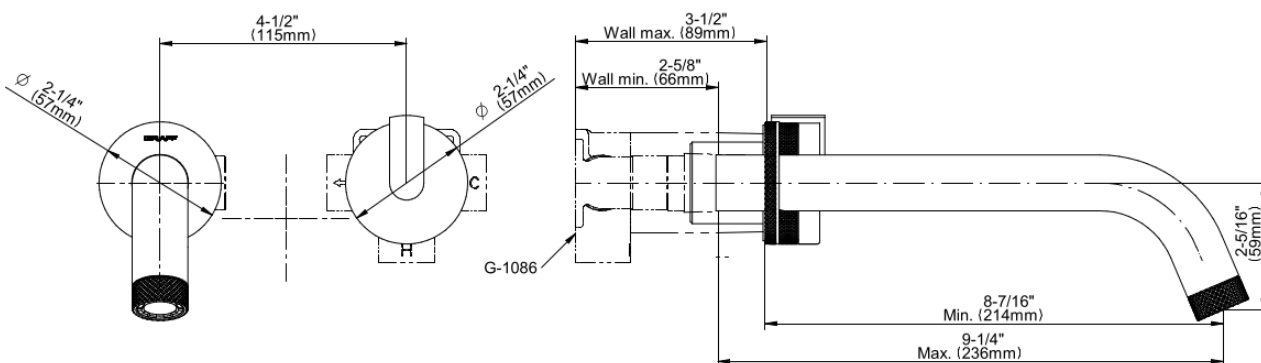
- CALGreen®

可用饰面

- 金色
- 拉丝金
- PVD拉丝黄铜
- Brushed Gold PVD®
- 黑色 Architectural Black™
- 拉丝镍
- Brushed Nickel PVD®
- Brushed Onyx PVD®
- Brushed Tuscan Bronze PVD®
- Rose Gold / Brushed Copper PVD®
- Gunmetal PVD®
- 哑光黑
- 古铜
- Onyx PVD®
- PVD抛光黄铜
- 镀铬
- Polished Gold PVD®
- 镀镍
- Polished Nickel PVD®
- Polished Tuscan Bronze PVD®
- Rose Gold / Polished Copper PVD®
- Satin Gold PVD®
- Steelnox® 缎镍
- 未抛光黄铜
- 未抛光拉丝黄铜
- 复古拉丝黄铜
- Warm Bronze PVD®
- 白色

* 特殊订单完成 - 请致电询问库存情况

1**-**-T



G-11536
MOD+ Collection
???????? - ??23,5 ?? - ????

GRAFF[®]