



产品特点

- 5" traditional showerhead
- 5" transitional shower arm and flange
- Original, unique shape with 40 spray openings
- Showerhead flow rate ≤ 1.8 max gpm
- Metal ball-joint allows for easy showerhead angle adjustment
- Flange design complements M-Series traditional trim plates
- Showerhead flow rate ≤ 1.8 max gpm

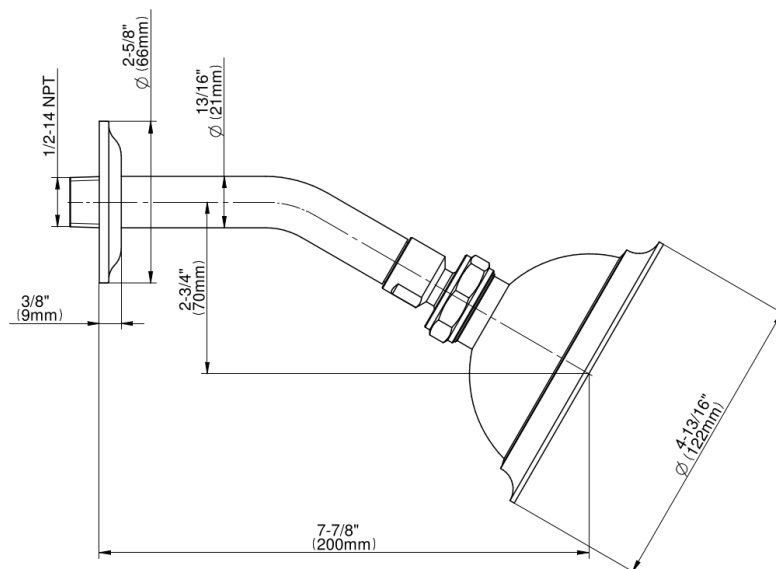
规范合规性

- CALGreen

可用饰面

- 金色
- 拉丝金
- PVD拉丝黄铜
- Brushed Gold PVD®
- 黑色 Architectural Black™
- 拉丝镍
- Brushed Nickel PVD®
- Brushed Onyx PVD®
- Brushed Tuscan Bronze PVD®
- Rose Gold / Brushed Copper PVD®
- Gunmetal PVD®
- 哑光黑
- 古铜
- Onyx PVD®
- PVD抛光黄铜
- 镀铬
- Polished Gold PVD®
- 镀镍
- Polished Nickel PVD®
- Polished Tuscan Bronze PVD®
- Rose Gold / Polished Copper PVD®
- Satin Gold PVD®
- Steelnox® 缎镍
- 未抛光黄铜
- 未抛光拉丝黄铜
- 复古拉丝黄铜
- Warm Bronze PVD®
- 白色

\* 特殊订单完成 - 请致电询问库存情况



G-8391  
5"????????

GRAFF®

---